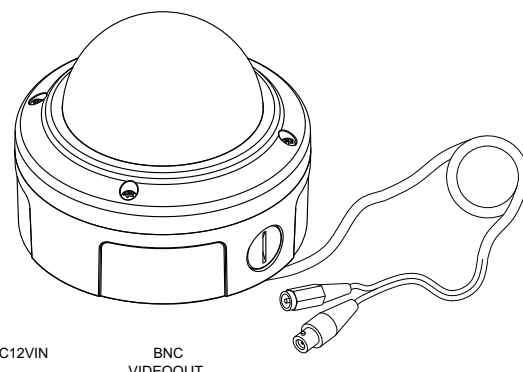
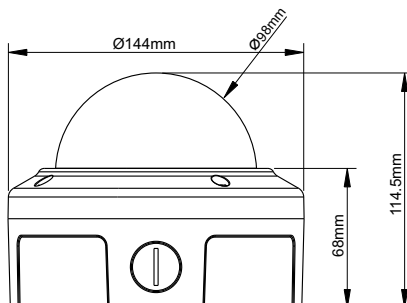
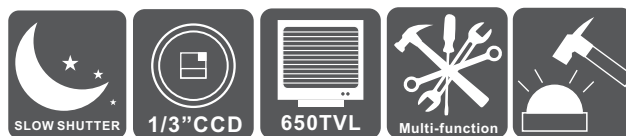


HOODON Vandalproof Dome Camera

631-DID/631-DOD



FEATURE

- High quality with multi-function high pixel
- 1/3" CCD image sensor
- Max. 650TVL

- DNR (Digital Noise Reduction)
- Day & Night Vision
- Waterproof-IP 66

SPECIFICATIONS

Mode	NTSC	PAL
Pick Up Element	1/3" CCD Image Sensor	
Image Signal Process	Digital Signal Processing System	
Number Of Pixel	768 (H) × 494 (V)	752 (H) × 582 (V)
Privacy Zone	4 Zones	
Horizontal Resolution	Approximately 650 TV Lines	
Power Supply	DC12V	
Lens	3.6 mm Fixed/ 2.8~10 mm Varifocal	
Auto Exposure	Automatic/Electronic Level Control	
Motion Detection	4 Zone	
Scanning System	2 : 1 Interlace	
Minimum illumination	0.01 LUX	
S/n Ratio	Better then 50 dB	
Electronic Shutter	AUTO: 1/60STO 1/120,000S	AUTO: 1/50STO 1/120,000S
Auto White Balance (awb)	Indoor/Outdoor/Manual	
Back Light Compensation (blc)	Off/Low/Medium/High Selectable	
Auto Gain Control (agc)	On/Off/Selectable	
Digital Noise Reduction (dnr)	Yes	
Wide Dynamic Range	On/Off	
Iris Control	Yes for Varifical Lens	
Output	1 Vp-p Composite Video Output, 75 Oh	
OSD	Yes	
Operating Temperature	-10°C~+50°C	
Scanning Frequency	15.625 KHz (H) and 50 Hz (V)	
Housing	Plastic/Aluminum with IP-66	